

FEATURES

- 25Ω cutoff bus output
- Extended 100E VEE range of -4.2V to -5.5V
- 50Ω receiver output
- Transmit and receive registers
- 1500ps max. clock to bus
- 1000ps max. clock to Q
- Internal edge slow-down capacitors on bus outputs
- Additional package ground pins
- Fully compatible with industry standard 10KH, 100K ECL levels
- Internal 75KΩ input pulldown resistors
- Fully compatible with Motorola MC10E/100E336
- Available in 28-pin PLCC package

DESCRIPTION

The SY10/100E336 offer three bus transceivers with both transmit and receive registers and are designed for use in new, high-performance ECL systems. The bus outputs (BUS₀ - BUS₂) are designed to drive a 25Ω bus. The receive outputs (Q₀ - Q₂) are specified for 50Ω. The bus outputs feature a normal logic HIGH level (V_{OH}) and a cutoff LOW level when at a logic LOW. At cutoff, the outputs go to -2.0V and the output emitter-follower is "off", presenting a high impedance to the bus. The bus outputs have edge slow-down capacitors.

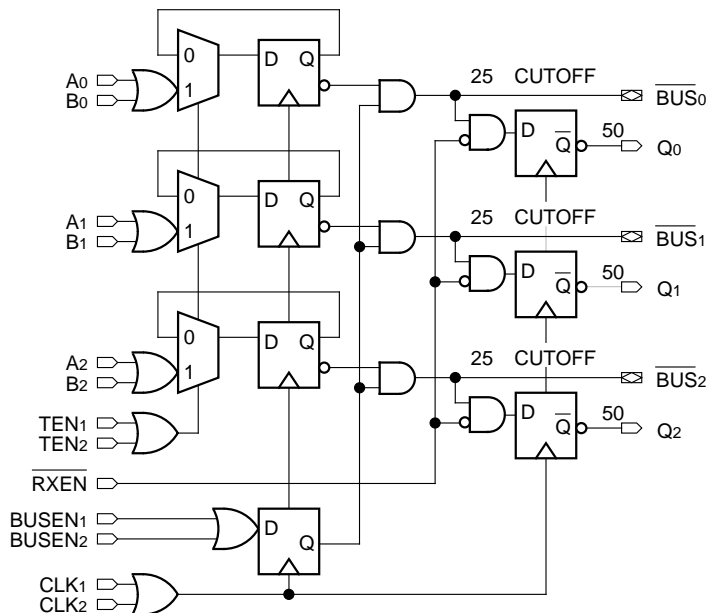
The Transmit Enable pins (TEN) determine whether current data is held in the transmit register or new data is loaded from the A/B inputs. A logic LOW on both of the bus enable inputs (BUSEN), when clocked through the register, disables the bus outputs to -2.0V.

The receiver section clocks bus data into the receive registers after gating with the Receive Enable (RXEN) input.

All registers are clocked by rising edge of CLK₁ or CLK₂ (or both).

Additional grounding is provided through the ground pins (GND) which should be connected to 0V. The GND pins are not electrically connected to the chip.

BLOCK DIAGRAM

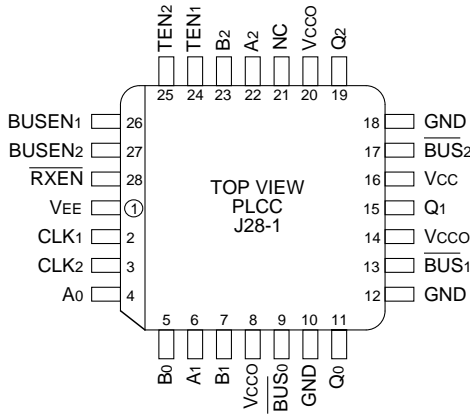


PIN NAMES

Pin	Function
A ₀ -A ₂	Data Inputs A
B ₀ -B ₂	Data Inputs B
TEN _{1,2}	Transmit Enable Inputs
RXEN	Receive Enable Input
BUSEN _{1,2}	Bus Enable Inputs
CLK _{1,2}	Clock Inputs
BUS ₀ -BUS ₂	25Ω Cutoff Bus Outputs
Q ₀ -Q ₂	Receive Data Outputs
V _{CCO}	Vcc to Output

PACKAGE/ORDERING INFORMATION

Ordering Information⁽¹⁾



28-Pin PLCC (J28-1)

Part Number	Package Type	Operating Range	Package Marking	Lead Finish
SY10E336JC	J28-1	Commercial	SY10E336JC	Sn-Pb
SY10E336JCTR ⁽²⁾	J28-1	Commercial	SY10E336JC	Sn-Pb
SY100E336JC	J28-1	Commercial	SY100E336JC	Sn-Pb
SY100E336JCTR ⁽²⁾	J28-1	Commercial	SY100E336JC	Sn-Pb
SY10E336JZ ⁽³⁾	J28-1	Commercial	SY10E336JZ with Pb-Free bar-line indicator	Matte-Sn
SY10E336JZTR ^(2, 3)	J28-1	Commercial	SY10E336JZ with Pb-Free bar-line indicator	Matte-Sn
SY100E336JZ ⁽³⁾	J28-1	Commercial	SY100E336JZ with Pb-Free bar-line indicator	Matte-Sn
SY100E336JZTR ^(2, 3)	J28-1	Commercial	SY100E336JZ with Pb-Free bar-line indicator	Matte-Sn

Notes:

1. Contact factory for die availability. Dice are guaranteed at T_A = 25°C, DC Electricals only.
2. Tape and Reel.
3. Pb-Free package is recommended for new designs.

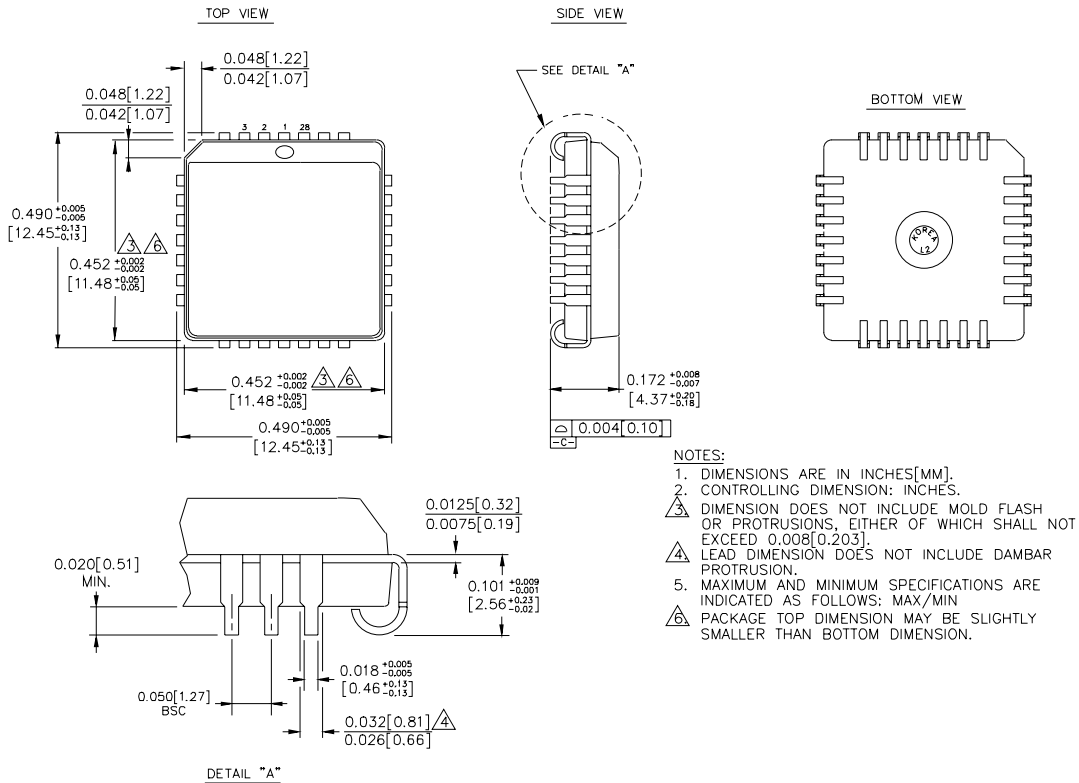
DC ELECTRICAL CHARACTERISTICSV_{EE} = V_{EE} (Min.) to V_{EE} (Max.); V_{CC} = V_{CCO} = GND

Symbol	Parameter	T _A = 0°C			T _A = +25°C			T _A = +85°C			Unit	Condition
		Min.	Typ.	Max.	Min.	Typ.	Max.	Min.	Typ.	Max.		
V _{CUT}	Cut-off Output Voltage	-2.10	—	-2.03	-2.10	—	-2.03	-2.10	—	-2.03	V	1
I _{IH}	Input HIGH Current RXEN All Other Inputs	—	—	225	—	—	225	—	—	225	μA	—
I _{EE}	Power Supply Current	—	125	150	—	125	150	—	125	150	mA	—
	10E	—	125	150	—	125	150	—	125	150		
	100E	—	125	150	—	125	150	—	144	173		

Note:1. Measured with V_{TT} = -2.10V.**AC ELECTRICAL CHARACTERISTICS**V_{EE} = V_{EE} (Min.) to V_{EE} (Max.); V_{CC} = V_{CCO} = GND

Symbol	Parameter	T _A = 0°C			T _A = +25°C			T _A = +85°C			Unit	Condition
		Min.	Typ.	Max.	Min.	Typ.	Max.	Min.	Typ.	Max.		
t _{PD}	Propagation Delay to Output CLK to Q CLK to $\overline{\text{BUS}}$	500 825	700 1250	1000 1800	500 825	700 1250	1000 1800	500 825	700 1250	1000 1800	ps	—
t _S	Set-up Time BUS, RXEN	150	-150	—	150	-150	—	150	-150	—	ps	—
	BUSEN	100	-200	—	100	-200	—	100	-200	—		
	A, B Data	300	-50	—	300	-50	—	300	-50	—		
	TEN	450	150	—	450	150	—	450	150	—		
t _H	Hold Time BUS, $\overline{\text{RXEN}}$	450	150	—	450	150	—	450	150	—	ps	—
	BUSEN	500	200	—	500	200	—	500	200	—		
	A, B Data	350	50	—	350	50	—	350	50	—		
	TEN	200	-150	—	200	-150	—	200	-150	—		
t _{PW}	Minimum Pulse Width, CLK	400	—	—	400	—	—	400	—	—	ps	—
t _r t _f	Rise/Fall Time 20% to 80% (Q _n)	300	450	700	300	450	700	300	450	700	ps	—
	20% to 80% (BUS _n Rise)	500	800	1000	500	800	1000	500	800	1000		
	20% to 80% (BUS _n Fall)	300	500	800	300	500	800	300	500	800		

28-PIN PLCC (J28-1)



Rev. 03

MICREL, INC. 2180 FORTUNE DRIVE SAN JOSE, CA 95131 USA

TEL + 1 (408) 944-0800 FAX + 1 (408) 474-1000 WEB <http://www.micrel.com>

The information furnished by Micrel in this data sheet is believed to be accurate and reliable. However, no responsibility is assumed by Micrel for its use. Micrel reserves the right to change circuitry and specifications at any time without notification to the customer.

Micrel Products are not designed or authorized for use as components in life support appliances, devices or systems where malfunction of a product can reasonably be expected to result in personal injury. Life support devices or systems are devices or systems that (a) are intended for surgical implant into the body or (b) support or sustain life, and whose failure to perform can be reasonably expected to result in a significant injury to the user. A Purchaser's use or sale of Micrel Products for use in life support appliances, devices or systems is at Purchaser's own risk and Purchaser agrees to fully indemnify Micrel for any damages resulting from such use or sale.

© 2005 Micrel, Incorporated.